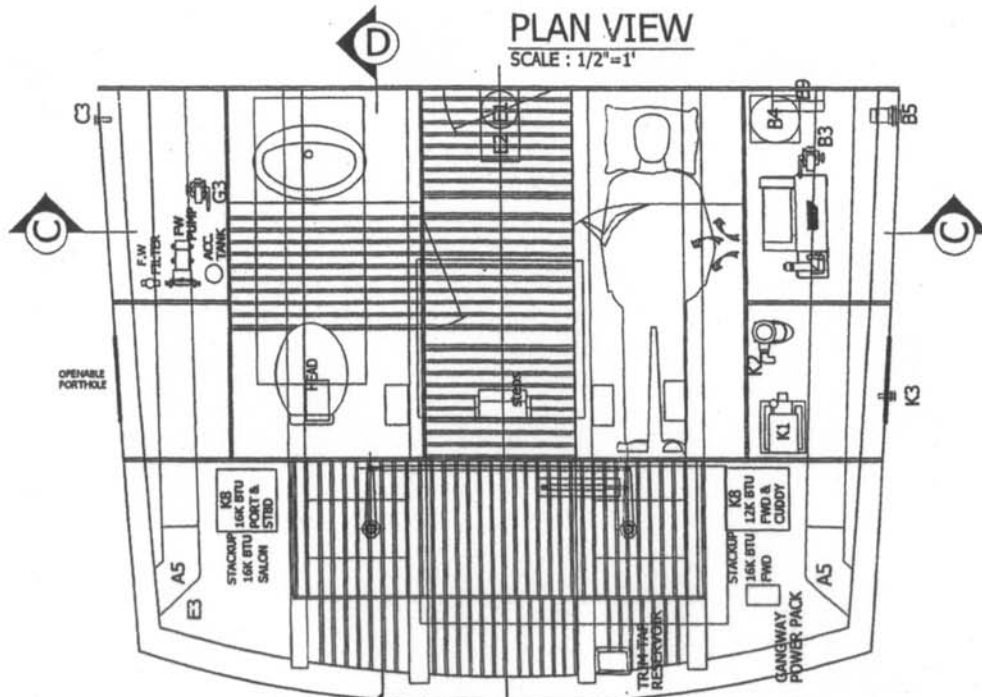


# CADDY CABIN AND BATHROOM

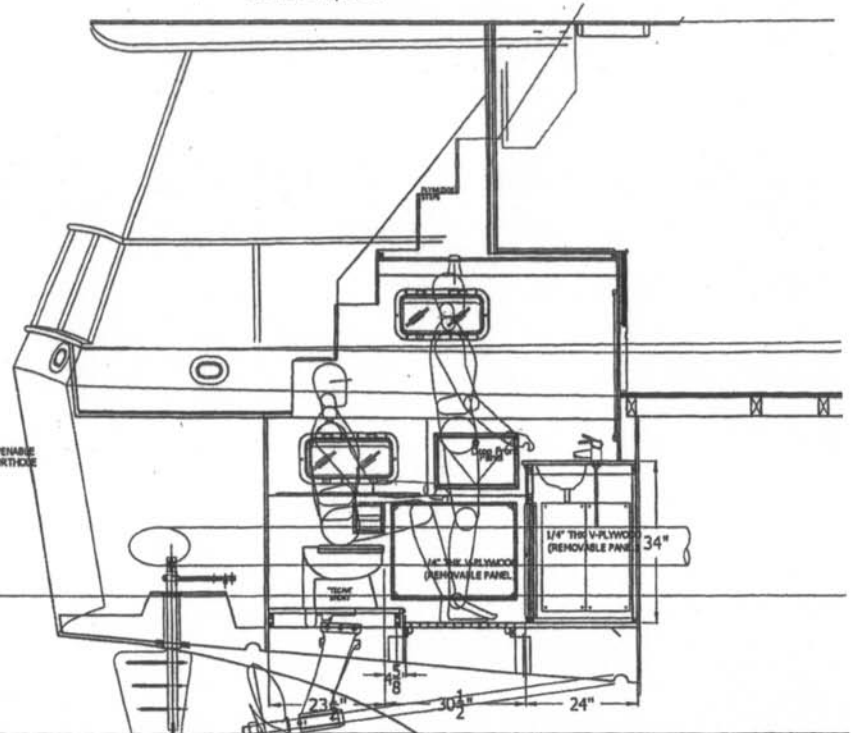
## PLAN VIEW

SCALE: 1/2"=1'



## SECTION D-D

SCALE: 1/2"=1'



## SECTION C-C

SCALE: 1/2"=1'

